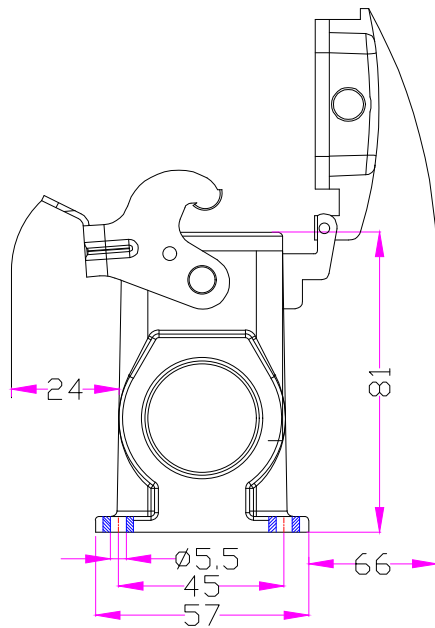
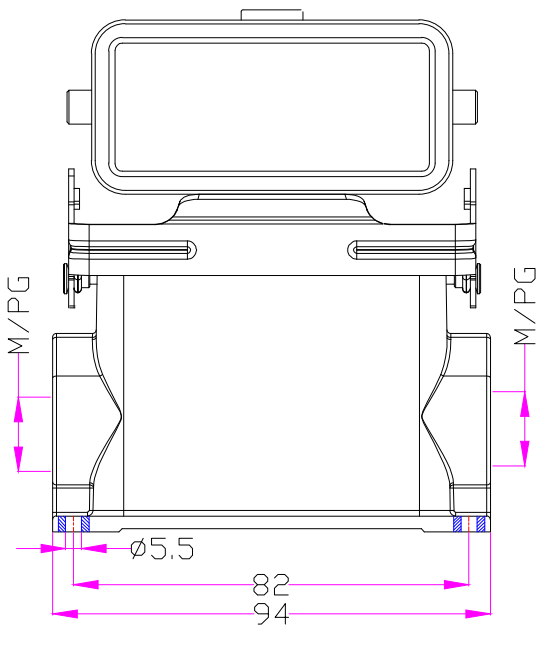



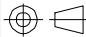
REVISION DATA				
SYM	ECN	DESCRIPTION	DATE	APPROVED



技术参数:
 材料: 压铸铝
 表面处理: 粉末喷涂
 颜色: RAL7037灰色
 温度范围: -40°C~+125°C
 防护等级: IP65(联锁状态)
 联锁元件
 锁扣方式: 单扣
 材料: 不锈钢
 密封元件: NBR
 出线方向: 侧出线
 螺纹规格: M25/2M25/M32/2M32/PG21/2PG21/PG29/2PG29

Specifications:
 Material: aluminium die-cast
 Surface: powder-coated
 Color: Grey (RAL 7037)
 Limiting temperatures: -40°C~+125°C
 Degree of protection : IP65
 Locking element :
 Locking type: single locking latch
 material: stainless steel
 Hoods/Housings sealing: NBR
 Cable entry: Side entry
 Thread size: M25/2M25/M32/2M32/PG21/2PG21/PG29/2PG29



Tolerance		SIGNATURE	DATE	Units	mm	 宁波欧科瑞连接器有限公司 NINGBO OUKERUI CONNECTOR CO.,LTD.
0~≤20 ±0.15	DRAW			Size	A4	
20~≤50 ±0.25	DESIGN			Scale		PART NAME: HZW-H10B-SGH-MCV-1PL-M/PG
50~≤80 ±0.35	CHECK			Sheet		Drawing NO.
80~≤120 ±0.50	APPROVE			Proj.		Material
						REV
						A